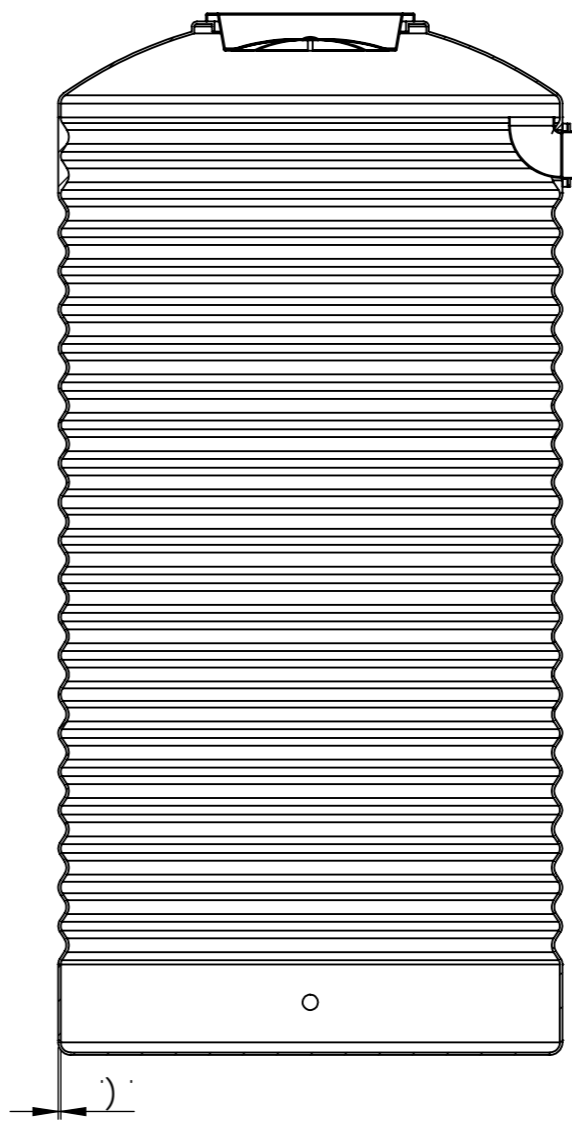
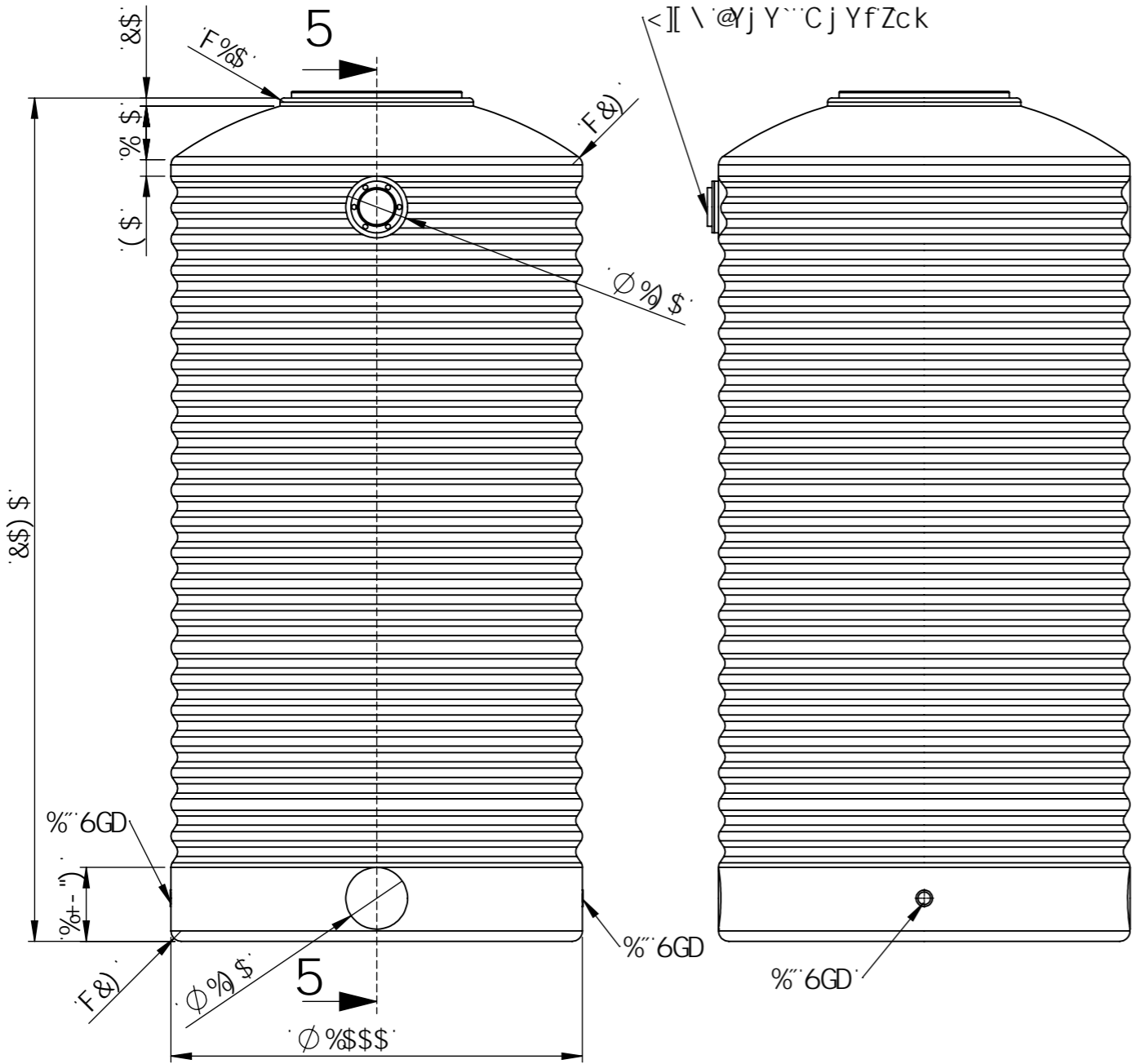
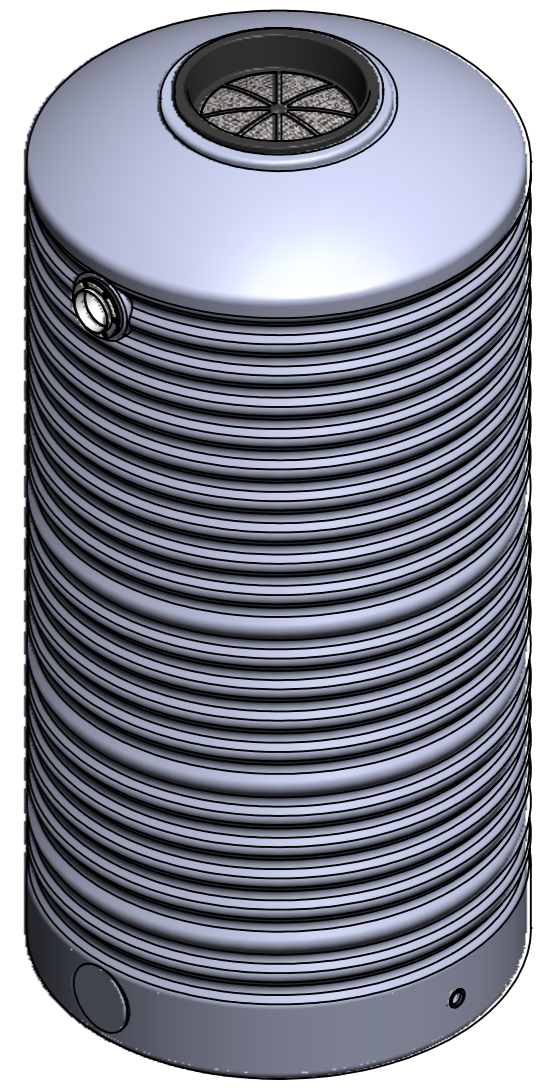


( \$\$a a 'GrU]bYf



G97 H€ B '5!5



I B @9GC H: 9FK 49 GD97 = 98. B A 9B GC BC 5F9 B A @A 9HFG G F: 579: B G<. HC @F 5B7 9G @B 95 F. 5B: I @5F.			: B G<. 8 96I F 5B8 6F 95? G<5FD 98: 9G		8C BC H7 5 @98F5K B; F9J GC B	
			FC HC D @5 G'DHM @B			
B5A 9 G= B5H F9 85H9			HH99		5 ggmiFK H% ) \$@H5 B? ; 5	
8F5K B 7 <? B 5DDJ B A : : E '5			A 5H9F 5@ Dc `mYh\ `mYbY		8K : BC 5 ggmiFK H% ) \$@ 5(	
K 9= <H' (\$ _[			G7 5 @9.%&\$		G< 99H% C : %	